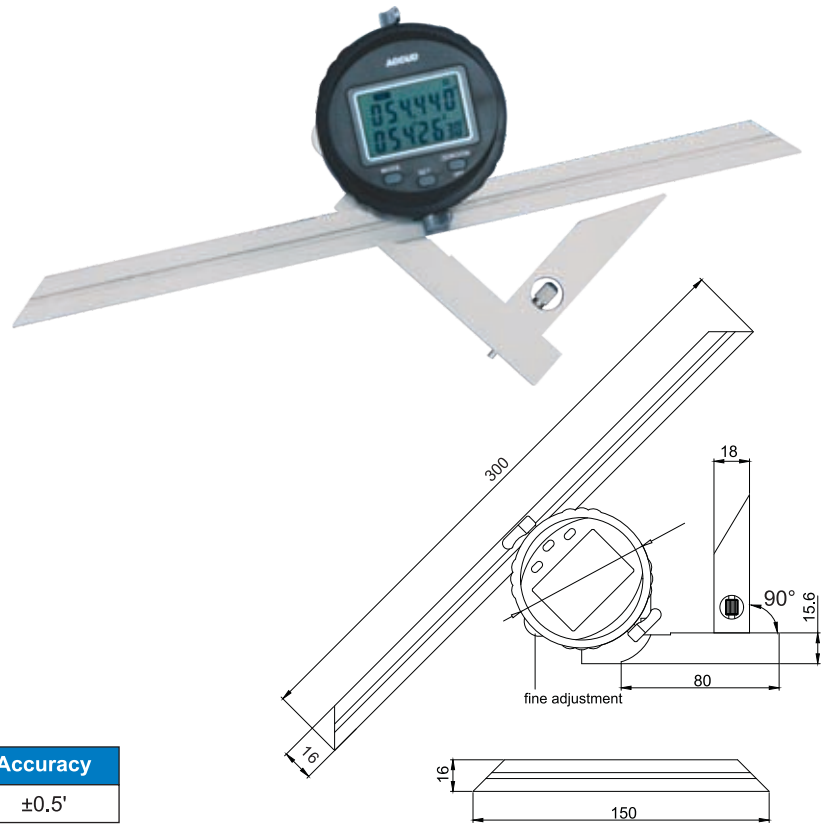


822

DIGITAL PROTRACTOR

- ◆ Button function:
 - SET: preset the reading and change the measuring direction
 - MODE: choose range 90°, 180°, 360°
 - ZERO/ON/OFF: set zero and power on/off
- ◆ Data output
- ◆ With a 150mm blade and a 90° square
- ◆ Made of stainless steel



Code	Range	Resolution	Accuracy
822-360-01	0-360°	0.1°	±0.5'

SERIES 832

90° BEVELED EDGE SQUARE

- ◆ Two beveled measuring faces
- ◆ Made of hardened stainless steel
- ◆ Satin chrome plating

Grade 0

Code	Size(LxW)	Squareness(α)	Squareness(β)	a	b	h
832-002-10	50x40mm	6μm	6μm	13	13	4
832-003-10	75x50mm	6μm	7μm	15	15	4
832-004-10	100x70mm	7μm	7μm	20	20	5
832-006-10	150x100mm	7μm	8μm	30	30	6
832-008-10	200x130mm	8μm	9μm	34	34	7
832-010-10	250x165mm	9μm	10μm	35	35	7
832-012-10	300x200mm	10μm	11μm	40	40	8

Grade 00

Code	Size(LxW)	Squareness(α)	Squareness(β)	a	b	h
832-002-00	50x40mm	2.4μm	2.5μm	13	13	4
832-003-00	75x50mm	2.6μm	2.8μm	15	15	4
832-004-00	100x70mm	2.8μm	3.0μm	20	20	5
832-006-00	150x100mm	3.2μm	3.5μm	30	30	6
832-008-00	200x130mm	3.7μm	4.0μm	34	34	7
832-010-00	250x165mm	4.2μm	4.5μm	35	35	7
832-012-00	300x200mm	4.6μm	5.0μm	40	40	8

